

# FLS C6.30

Inductive conductivity transmitter



# FLS C6.30

The FLS C6.30 product range consists of inductive conductivity transmitters, equipped with a 4-20 mA direct output (two-wire technology). This type of measurement technology allows a wide range of applications, in particular the measurement of high conductivity values (up to 1000 millisiemens) in aggressive fluids (the only material in contact with liquids is PVC-C). Since no electrodes come into direct contact with the liquid, reliable and stable measurements are guaranteed for long periods. The correct automatic temperature compensation (ATC) is guaranteed by the presence of a Pt100 integrated in the sensor body. The 4-20 mA output is ideal for direct connection to the PLC or data logger without the need for an additional interface. Both the transmitter and the temperature sensor are supplied already calibrated.

## INDUCTIVE CONDUCTIVITY TRANSMITTER

### APPLICATIONS

- Water treatment
- Wastewater treatment
- Cooling towers
- Scrubbers and smoke washing
- Surface treatments and measurement of corrosive fluids

### MAIN CHARACTERISTICS

- Resistant to corrosion and the formation of patinas
- Compact transmitter
- Sensors already calibrated
- Easy installation
- Integrated Pt100 sensor
- Suitable for immersion installation

### TECHNICAL DATA

<b>General information</b>	<b>Body material:</b> C-PVC
	<b>Body length:</b> 207 mm
	<b>Protection class:</b> IP68
	<b>Power supply:</b> 10-30 VDC regulated
	<b>Max electrical consumption:</b> < 22 mA
	<b>Max operating pressure/temperature:</b> – 10 bar (145 psi) at 25°C (77°F) – 6 bar (87 psi) at 50°C (122°F)
<b>Standards &amp; Approvals</b>	<b>Connection to the process:</b> NPT 1 1/2" male
	Manufactured under ISO 9001
	Manufactured under ISO 14001
	CE
	EAC

# PRODUCT CODES

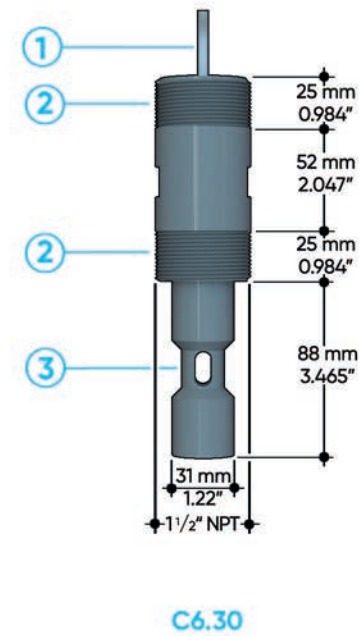


## C6.30.XX

C-PVC Inductive Conductivity Transmitter with Temperature Sensor (Pt100) included

Code	Description	Applications/ Operative Range	Connection	Installation	Weight (gr.)
C6.30.01	Pt100 included	0-10 mS/cm	3 m	1 1/2" NPT male threaded	550
C6.30.02	Pt100 included	0-100 mS/cm	3 m	1 1/2" NPT male threaded	550
C6.30.03	Pt100 included	0-1000 mS/cm	3 m	1 1/2" NPT male threaded	550

# TECHNICAL DRAWINGS



1 Cable: 3 m (9 ft)

2 NPT 1/2"

3 C-PVC coating